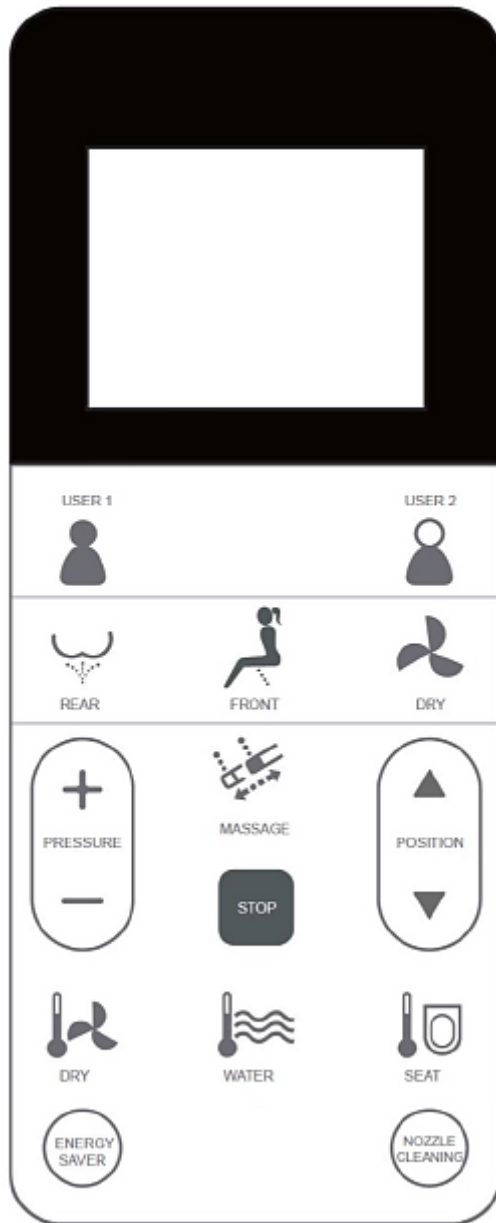




my luxury loo

# Smart Bidet Attachment Remote

Please also see website for downloadable version of this manual at  
[www.myluxyloo.com](http://www.myluxyloo.com)



## Remote Control Illustration

Thank you for choosing our product. Please read the instructions carefully before installation and keep it available for future maintenance or reference

# Content

## Installation preparation

01.Remote control installation -----	01
--------------------------------------	----

## Usage Instruction

01.Remote control illustration -----	02
02.Rear/Front cleaning operation -----	03
03.Dry operation -----	03
04.Energy Saver -----	04
05.Nozzle Cleaning -----	05
06.Temperature Adjustment -----	06
07.User Code -----	07
08.Combination Button -----	08



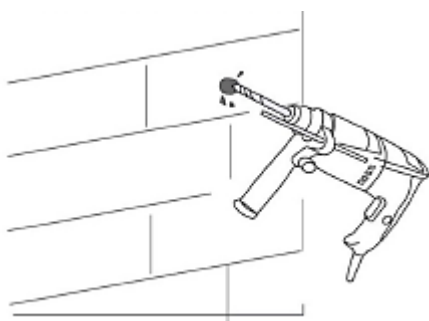
## Installation Preparation

### Remote control installation

#### Remote control hanger installation

- (1) Drill a hole about 5mm in diameter on the wall with depth of 1.5"

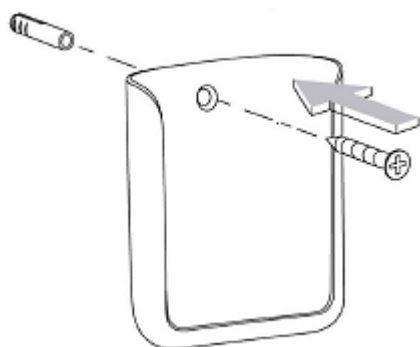
Make sure the user is able to reach the remote control when sitting on the seat.



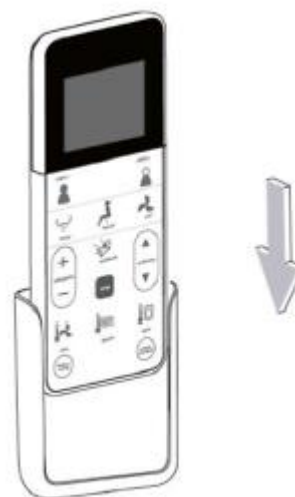
- (2) Tear the plastic off the back of the hanger.



- (3) Insert expansion tube into the hole on the wall, install the hanger to the wall with a screw, as you adhere the double-faced adhesive tape on the hanger to the wall. Then tighten the screw.



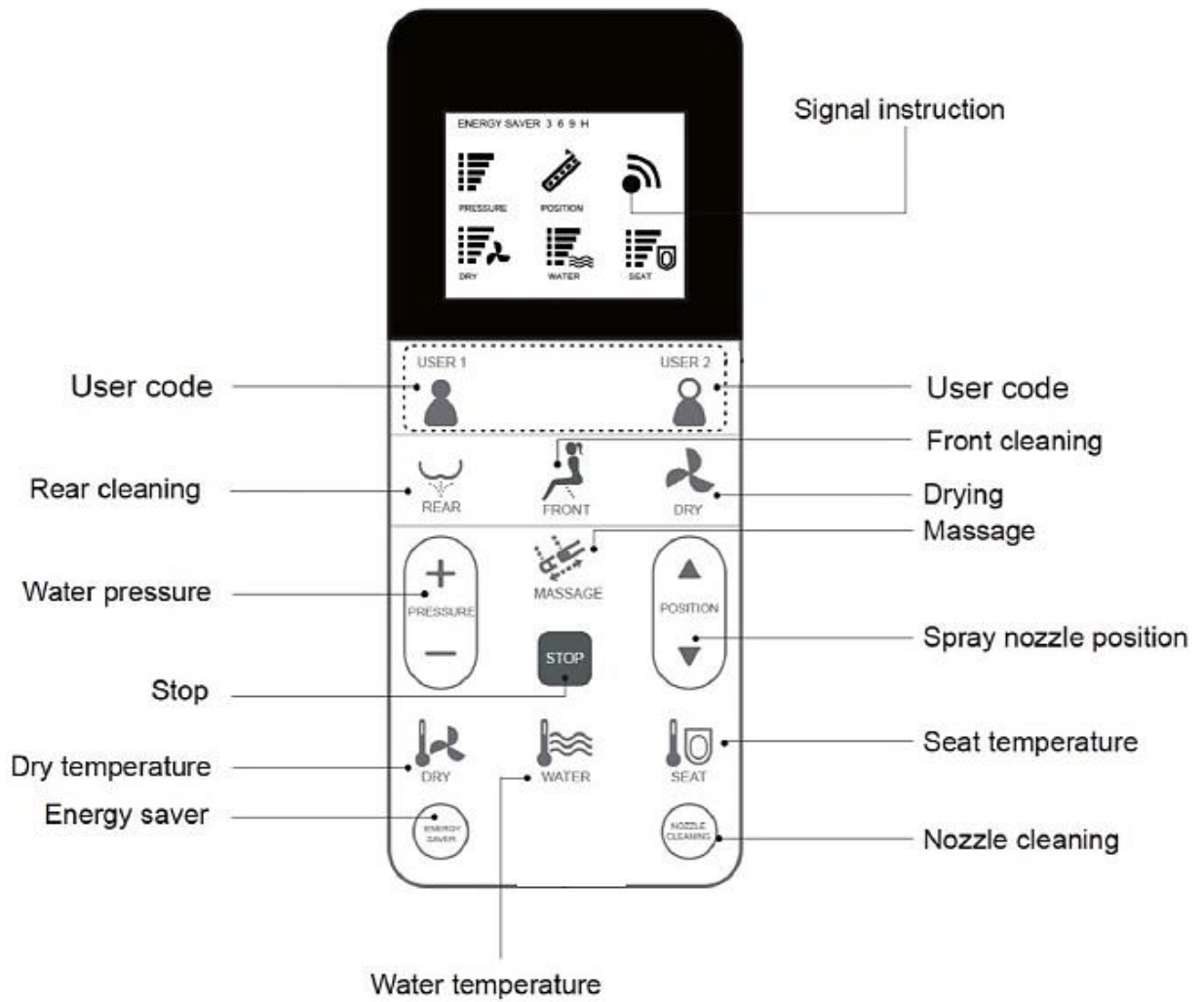
- (4) Install batteries and place remote control in the hanger



**Notice:** Please do not install and use the product in a humid environment, such as a steam room, and avoid installing where it can get splashed or wet.

# Usage Instruction

## Remote control illustration



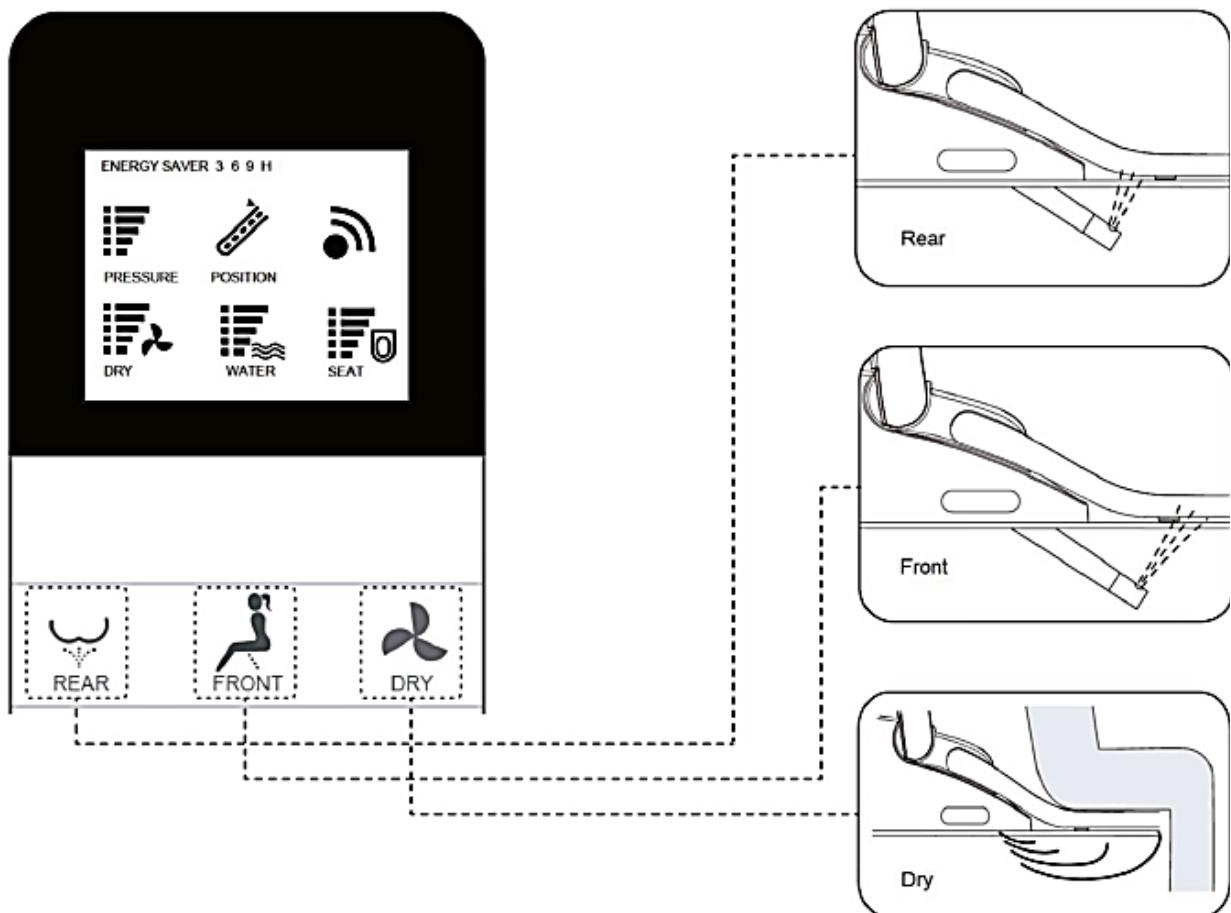
## Usage Instruction

### Rear/Front cleaning

Press the "REAR"/"FRONT" button and water comes out of wand to clean the rear/front portion of body. It automatically stops after a 90 second cycle of cleaning. If you press the "STOP" button when using, the function will stop immediately.

### Drying Operation

Press the "DRY" button and warm air comes out of wand to dry. After a cycle of 90 seconds, or, if the user leaves the seat, it automatically stops.



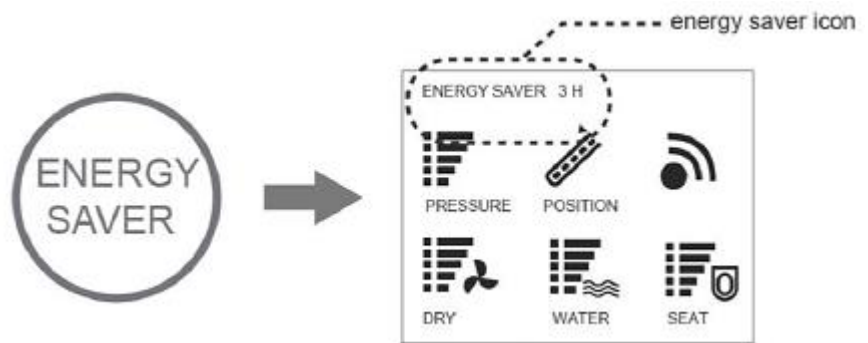
# Usage Instruction

## Energy saver

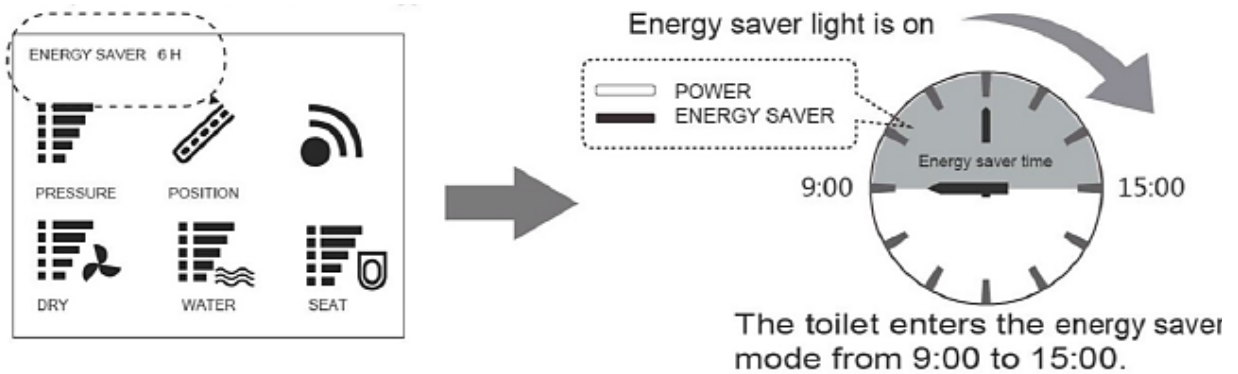
### Setting energy saver time

Press the "ENERGY SAVER" button and the LCD screen shows energy saver and details. It shows three options of energy saver periods as 3hrs-6hrs-9hrs-off, which can be selected accordingly. For example, the user can set it from 9:00am to 3:00pm to be in energy saver mode according to the following operation.

- (1) Press "ENERGY SAVER" button, LCD screen shows "ENERGY SAVER" icon.



- (2) At 9:00am press the "ENERGY SAVER" button until it reads "6 H". When the LCD screen shows "6 H", and the "ENERGY SAVER" icon disappears after 3 seconds, the setting is successful. The toilet enters the energy saver mode from 9:00 to 3:00 every day. During this period, the power light is off, and the energy saver light is on. It goes back to normal operation mode after energy saver time.



- (3) To cancel the energy saver setting: Press the "ENERGY SAVER" button continuously until this function is cancelled. (Nothing is displayed on the screen.)

In Energy Saver Mode:

The toilet will be under energy saver mode automatically after setting this. Under energy saver mode, the seat temperature is on the lowest temperature to achieve energy savings.

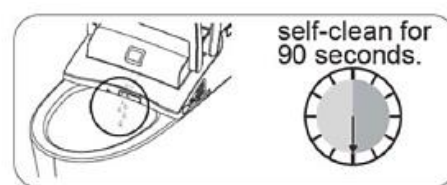
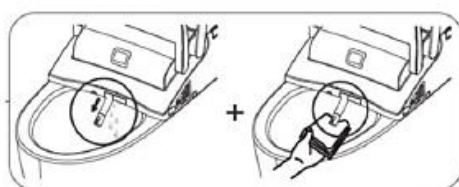
Notice:

If the user sits on the seat, the energy saver mode is paused, and enters into user mode, the seat starts to heat immediately to previously set temperature. The energy saver mode restores after the user is finished.

When the energy saver mode is set, the icon disappears automatically.



## Nozzle cleaning



### **Nozzle self-cleaning by quick press :**

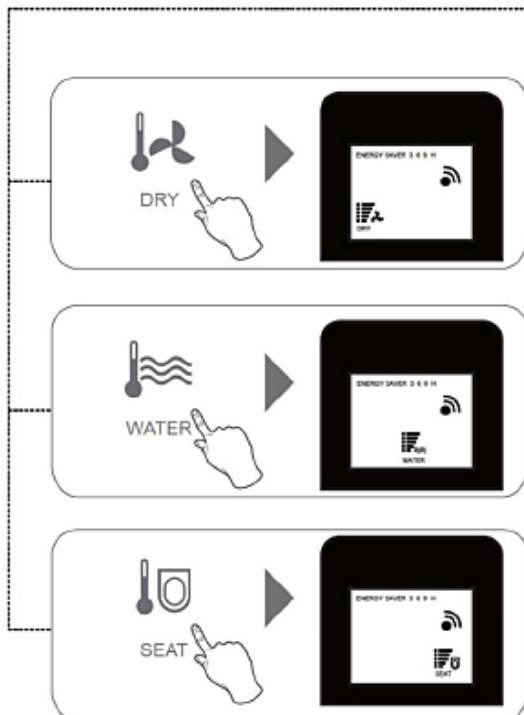
A quick press of the "NOZZLE CLEANING" button, the nozzle self-cleans for a moment and then moves to the out position (without spraying). Here you can continue to clean nozzle manually.

### **Nozzle self-cleaning by press and hold :**

Press and hold the "NOZZLE CLEANING" button and the sprayer will internally self-clean for 90 seconds.

# Usage Instruction

## Temperature adjustment



### Dry temperature adjustment:

Press the "DRY" button to adjust the dryer air temperature. The LCD display of 1 to 5 lines with 1 being the lowest and 5 being the highest. NO display means cool air temperature. To adjust dryer air temperature, hit "DRY" button until desired setting is reached.

### Water temperature adjustment:

Press the "WATER" button to adjust the water sprayer temperature for rear and front cleaning. The LCD display of 1 to 5 lines with 1 being the lowest and 5 being the highest. NO display means room temperature water. To adjust the temperature, hit "WATER" button until desired setting is reached.

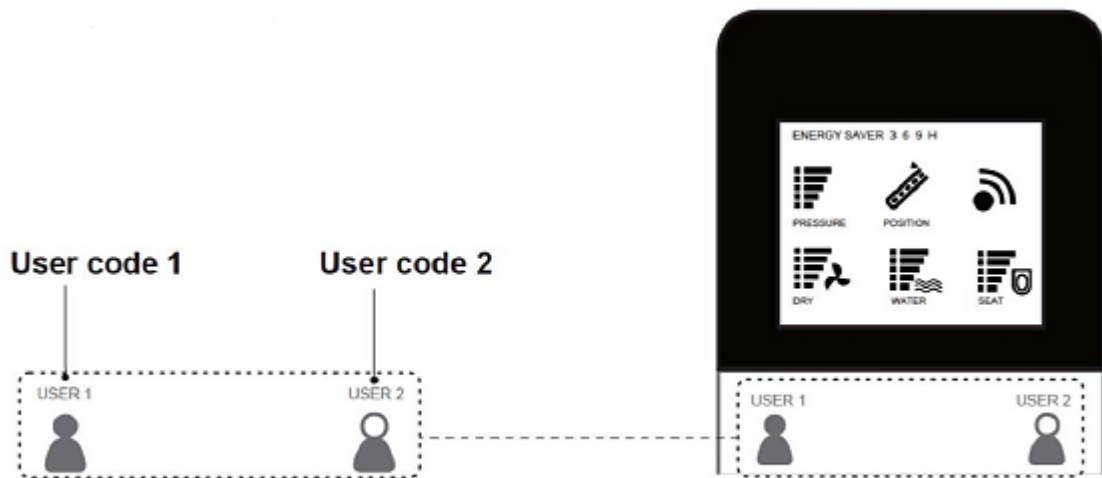
### Seat temperature adjustment:

Press the "SEAT" button to adjust temperature of seat. The LCD display of 1 to 5 lines with 1 being the lowest and 5 being the highest. NO display means no heat. To adjust the temperature, hit "SEAT" button until desired setting is reached.



## Individual User Settings

Press and hold "USER 1" or "USER 2" button until confirmed to save settings for individual users. This will save the current water pressure, nozzle position, dryer temperature, water temperature, seat temperature and massage status. Tap "USER 1" or "USER 2" button to use the saved settings.



### Other Features/Combination buttons

#### Night light

While holding the "STOP" button press the "DRY" button at the same time to turn the night light off.

Repeat the process, and the night light will switch to intelligent state.

#### Quiet mode

While holding the "STOP" button press the "MASSAGE" button at the same time to turn the buzzer on and off.



